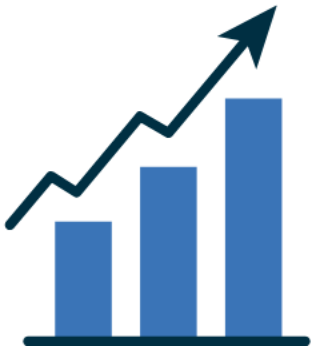
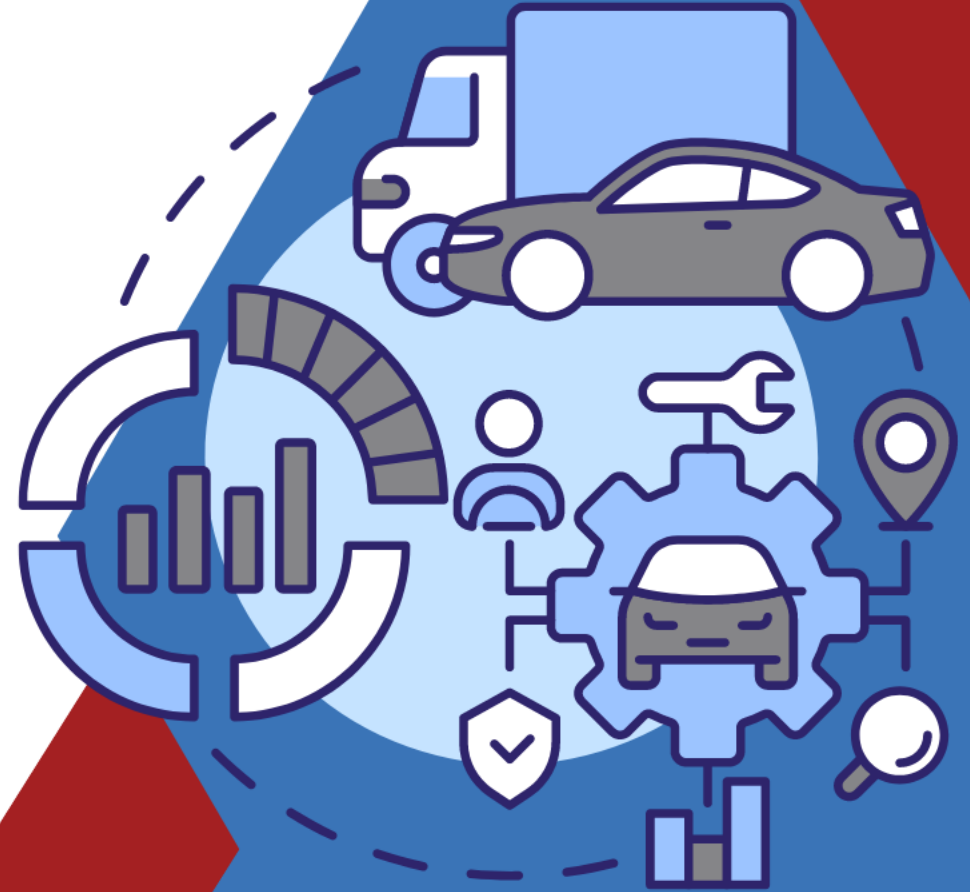


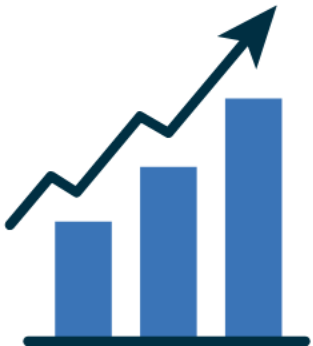


WELCOME TO COMMAND 24

Learn. Network. Engage.



SmartFob Key Box



SmartFob Key Box



SMARTFOB

COMMAND 24



Benefits

- No key to turn. Easy in and out.
- Can return to any position
- If fob is lost, no custom replacement fobs required. Fobs are generic.
- Key ring doesn't bind
- Mail-slot no longer has switch in cardholder.



Sizes



Current Standard key	Standard Space Fob	Condensed Space Fob
8	8	N/A
16	16	40
32	32	72
64	64	144
96	96	208

Current Mail slot key panel	New Smarfob panel
12	16
20	24
32	48
56	80

COMMAND 24



What's Required?

- Purchase a new panel
- Install and configure new panel
- Transfer keys to the new fobs



Serialized Tie



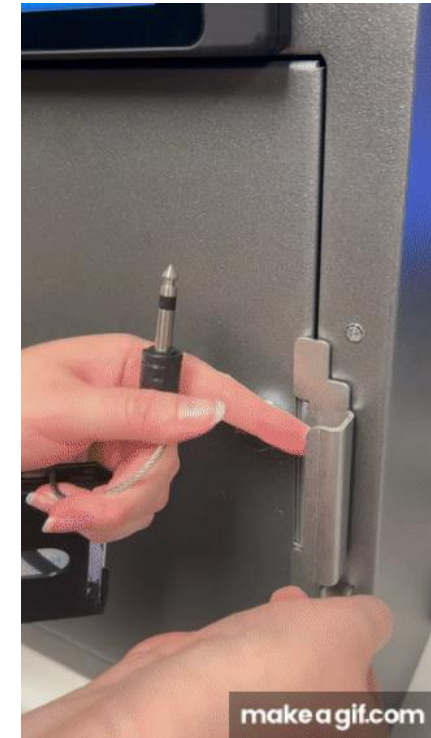
Serialized Key Ring



Key Post

Next Steps

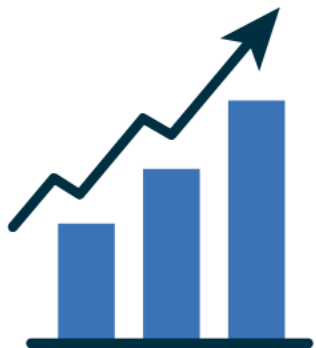
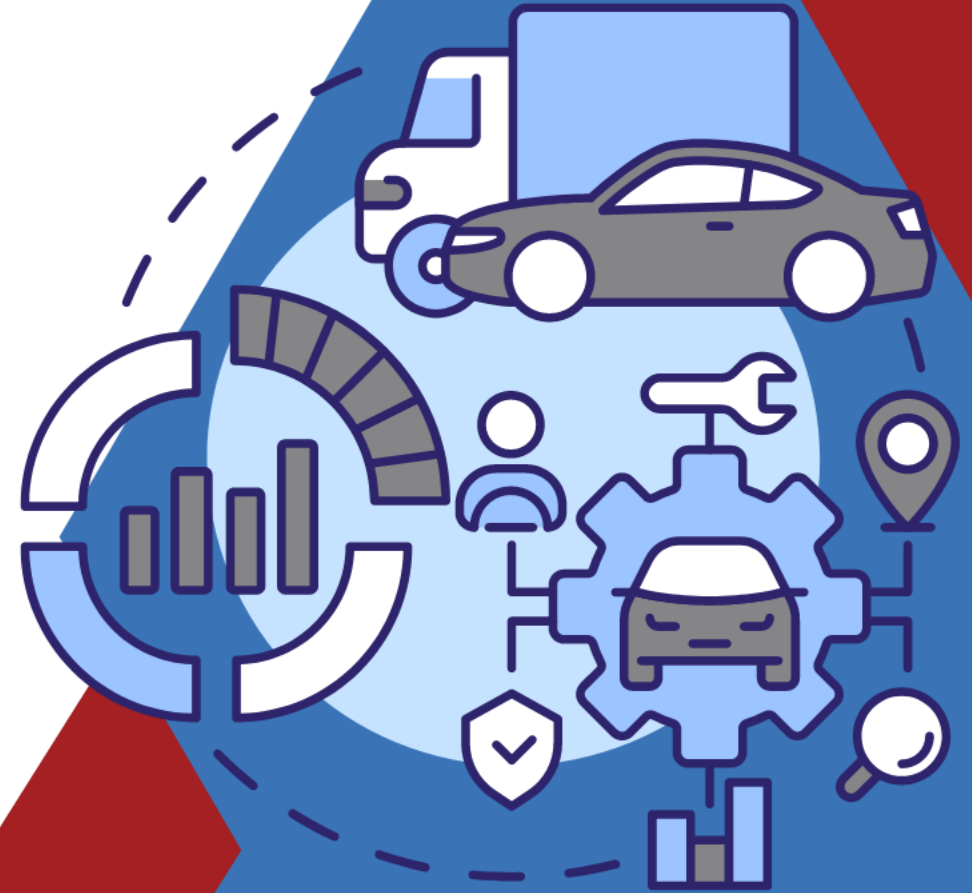
- We are testing the boxes in a few production environments.
- We have both styles here for you to test during Command!
- If interested, Client Success can provide pricing.



COMMAND 24



KIOWARE Server

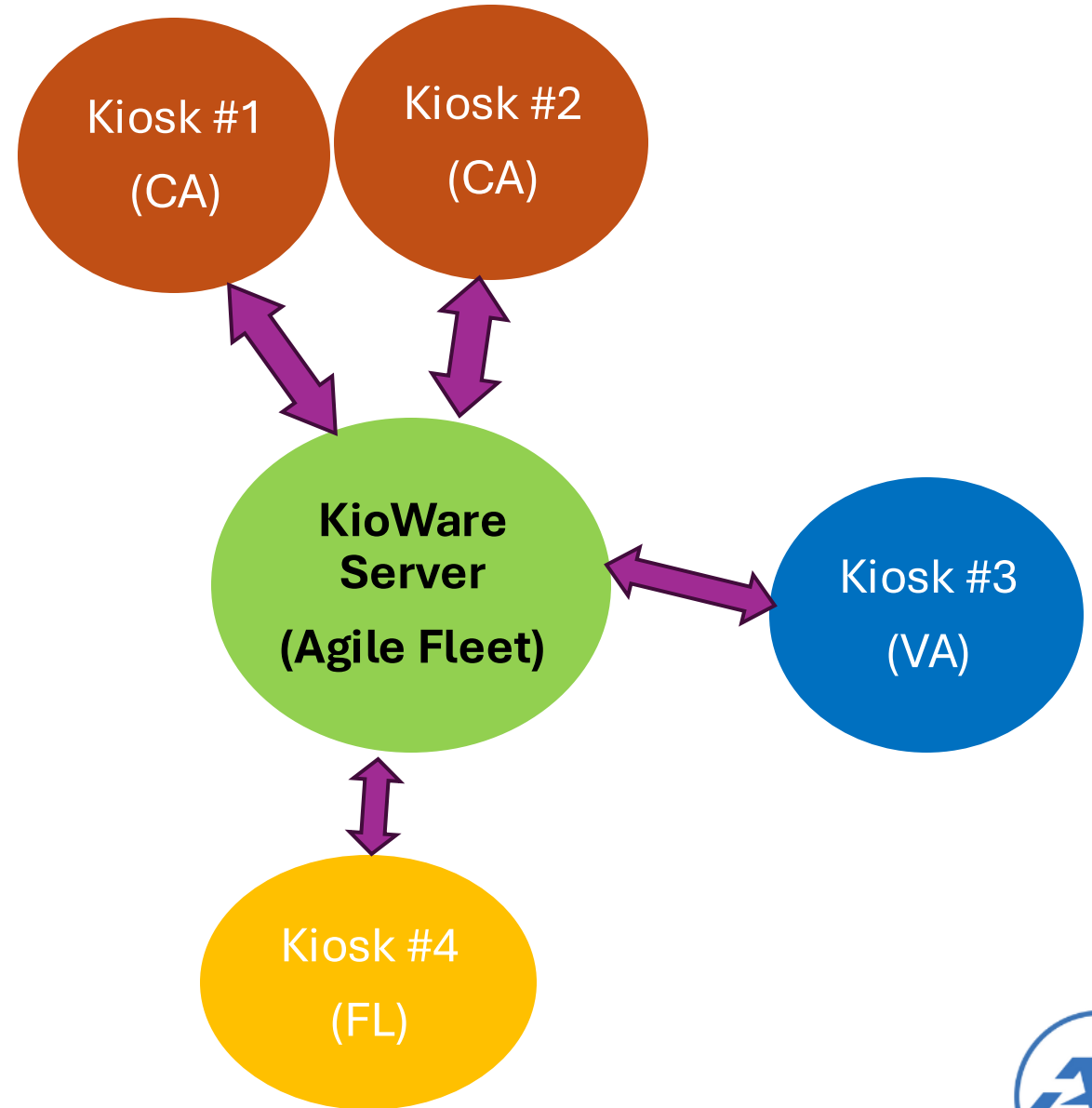


KIOWARE Server

- What is it?
- How does it benefit you?
- What is required?
- How do you get started?

KIOWARE Server

- Enables AgileFleet to see kiosks from a centralized location
- Commands can be sent to the kiosks from the server, and information sent to the server from the kiosks



Benefits

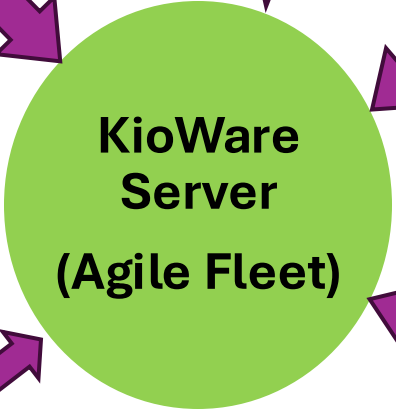
Monitor when the kiosk goes offline & perform troubleshooting steps



Push out new KioWare versions to kiosk



Make configuration changes remotely



Control Windows Updates



Get screen capture of error



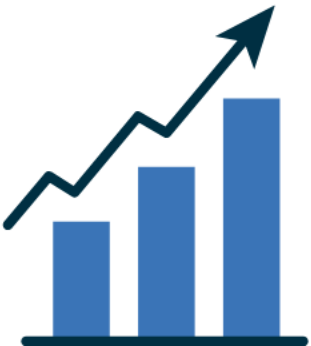
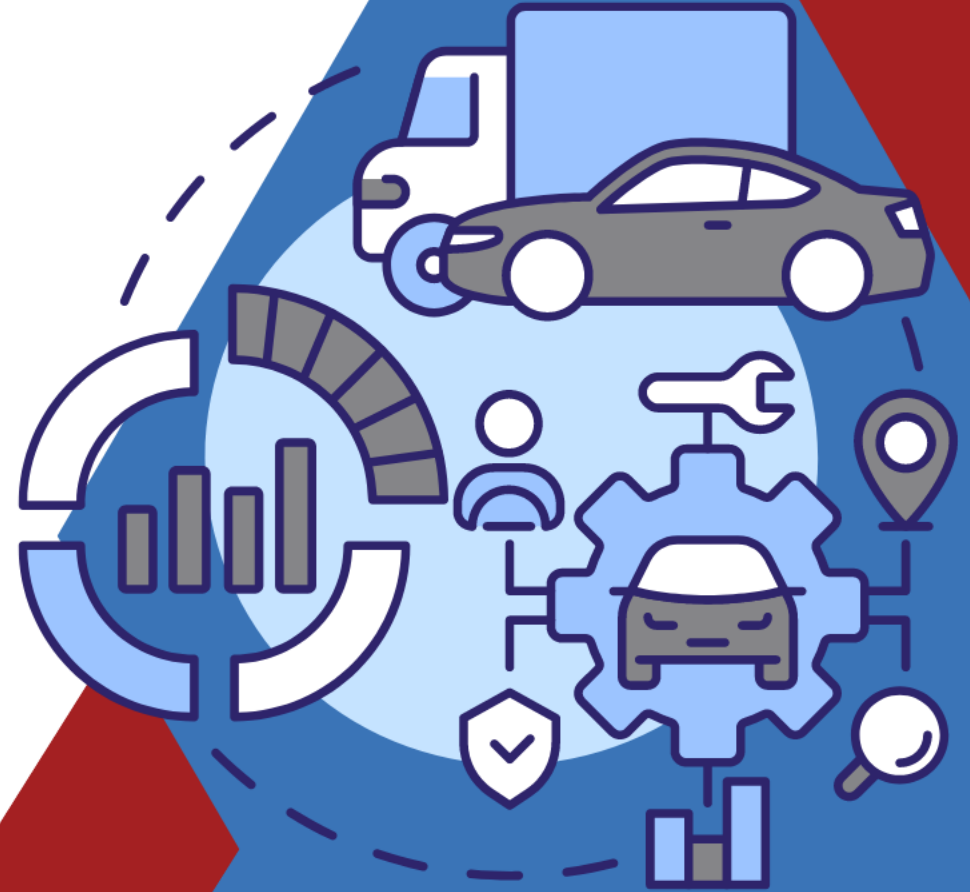
What is required?

- Schedule an upgrade session with FleetCommander Support
- Someone to be at the kiosk to perform initial setup
- 30-60 mins of scheduled kiosk downtime
- Install latest version of KioWare
- Configure KioWare Server Settings
- Install PowerShell module for Windows Updates

FleetCommander Support can perform most of the upgrade.

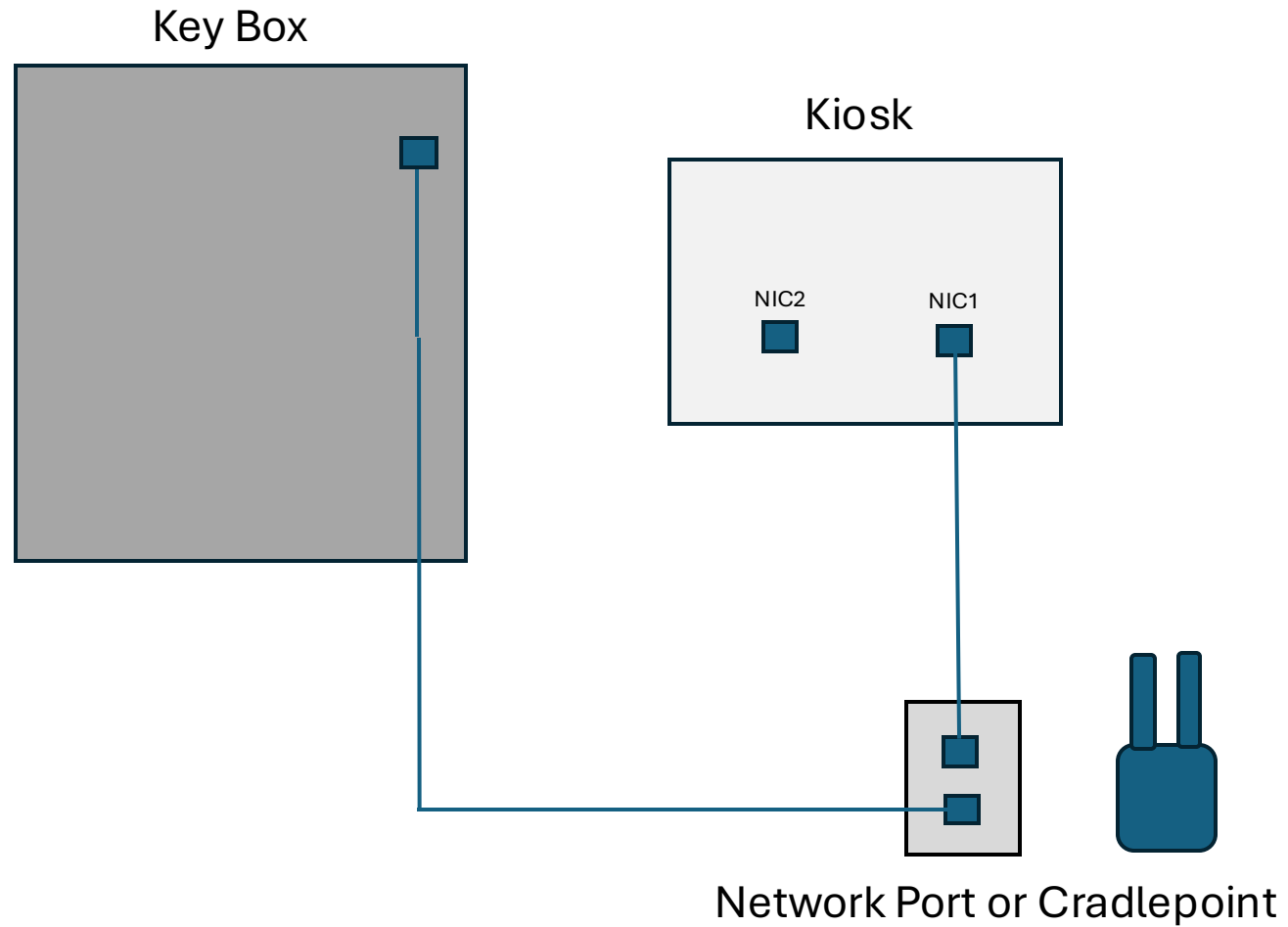
Look out for an announcement from Support soon!

Key Control VPN Service



Key Control Standard

Requires:
Dedicated IP Address
Internal Firewall Rules
Two network drops

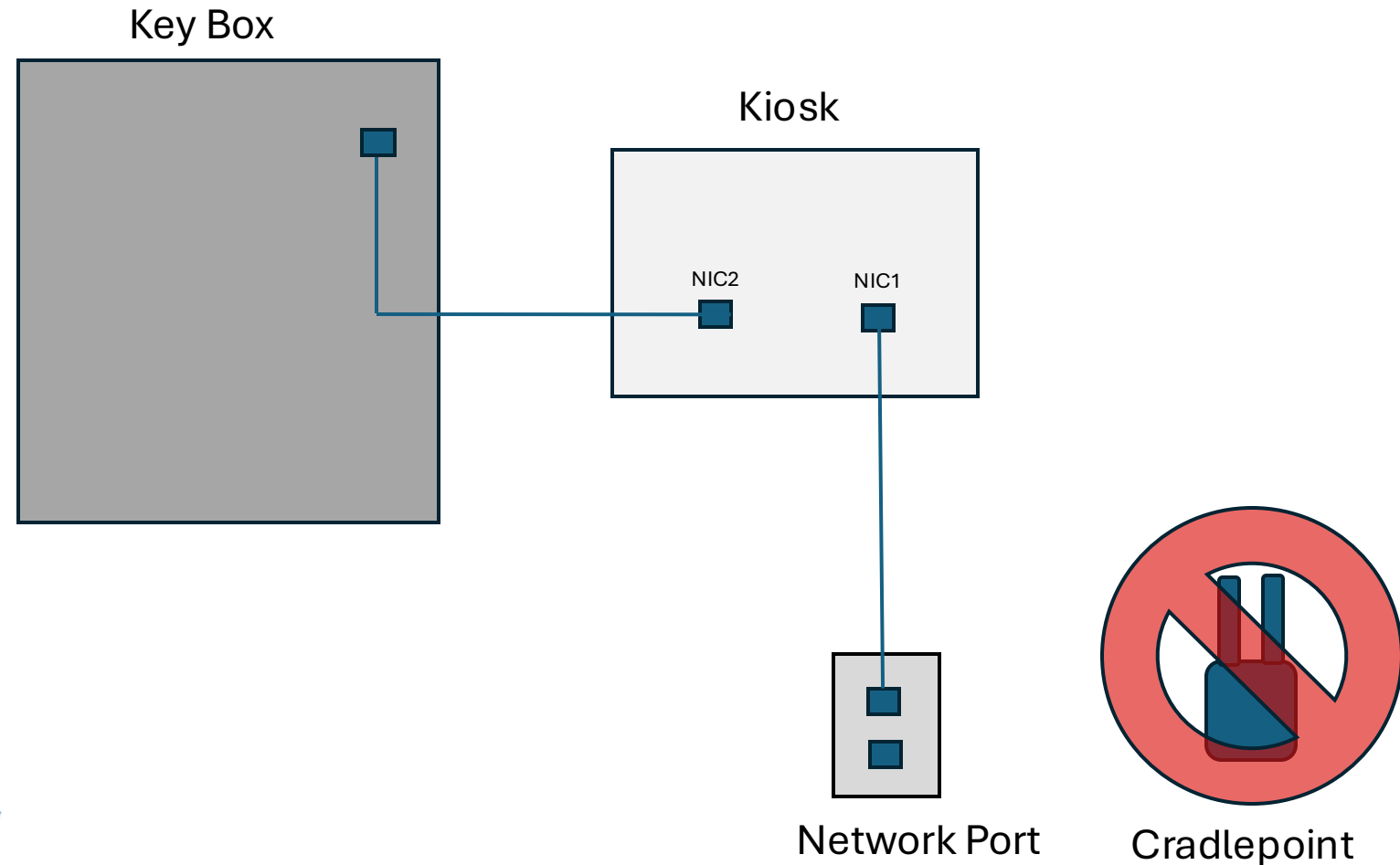


COMMAND 24



Key Control VPN Service

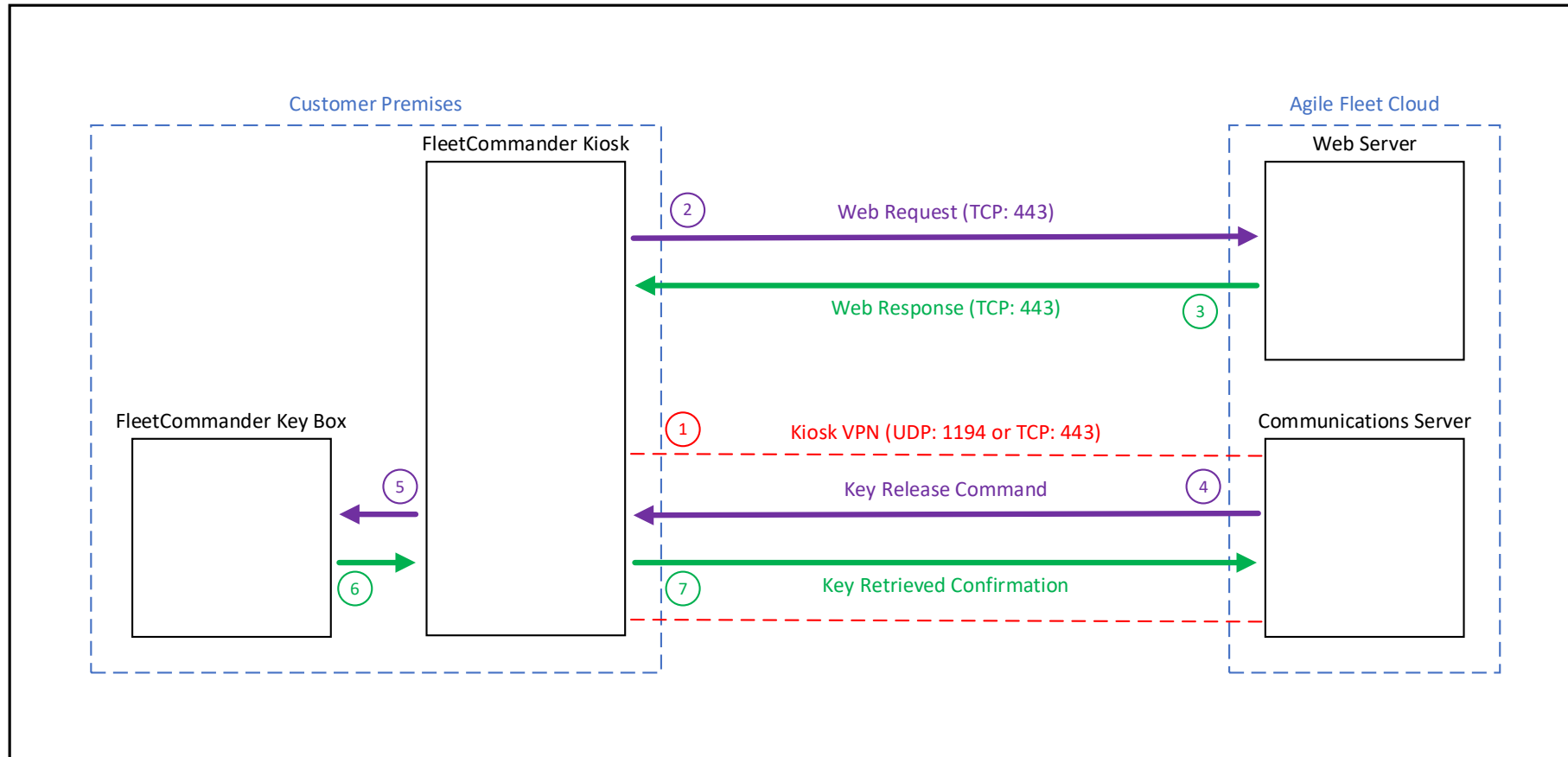
Requires:
Internet access
One network drop



COMMAND 24



Key Control VPN Service



Benefits

- One network drop
- No dedicated IP required
- No special firewall rules
- All key box data is encrypted
- Cheaper than using a Cradlepoint
- More appealing to your Network admins

CradlePoint Comparison

	Cradlepoint	Key Control VPN Service
Cost	Monthly usage charge	Lower yearly charge
Reliability	Relies on cell signal	On organization network
Replacement Cycle	Every 3-5 years	Installed on Kiosk
Power Requirements	Three power outlets	Two power outlets

Next Steps

- Contact your Client Success Rep in interested.
- We can provide documentation for you to give to your IT staff



Wrap-Up

COMMAND 24

Questions?
Next Up:
FleetCommander's New
Features (10:30 am)



THANK YOU